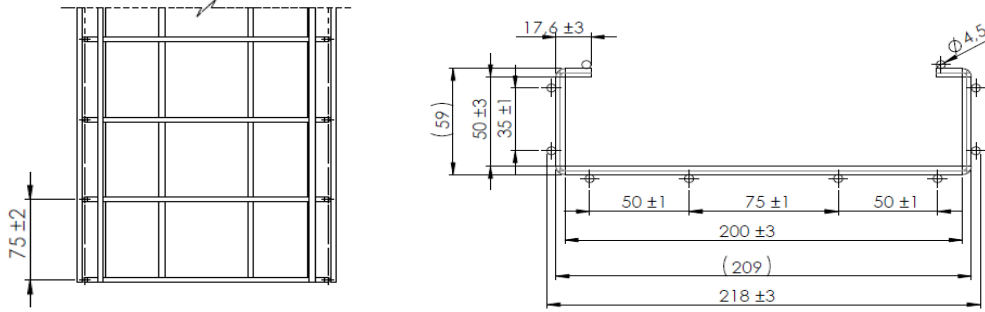


Product Name :

CABLE TRAY

PLT401

Product Description and Picture



DIMENSIONS

According to order sizes

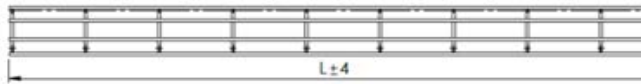
Material and Technical Specification

Hot dipped galvanized according to EN ISO 1461 (60μ).

Stainless Steel 304, According to Standard EN 10088-2

Cable trays should be welded into mesh structure with a unit size of 50 mm x 100 mm as according to drawing.

Product Specifications



D(mm)
4,0
4,5

